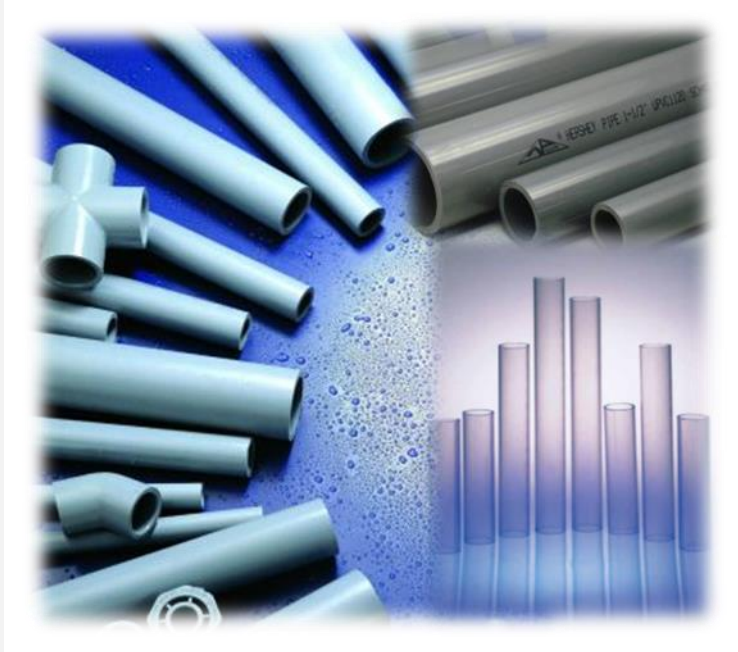




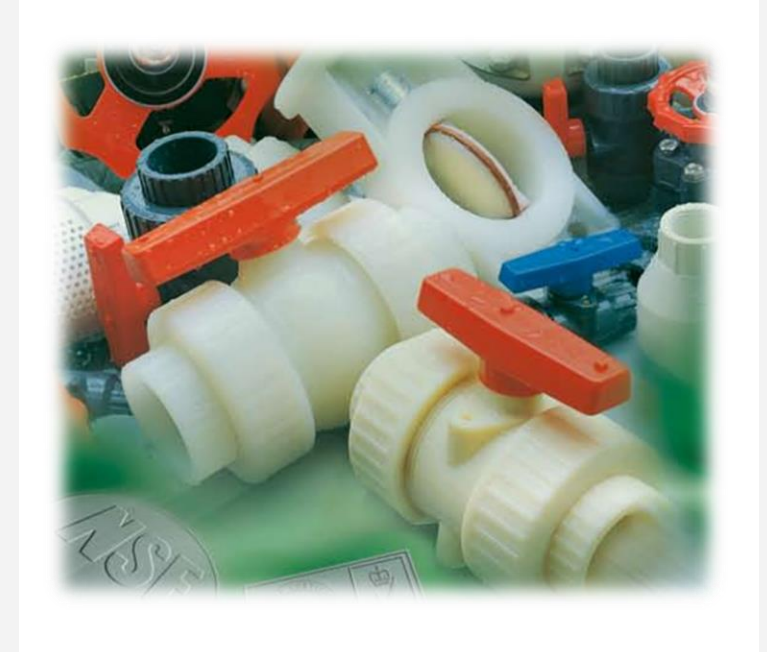
Pipe, Fitting & Valve



PIPE



FITTING



VALVE

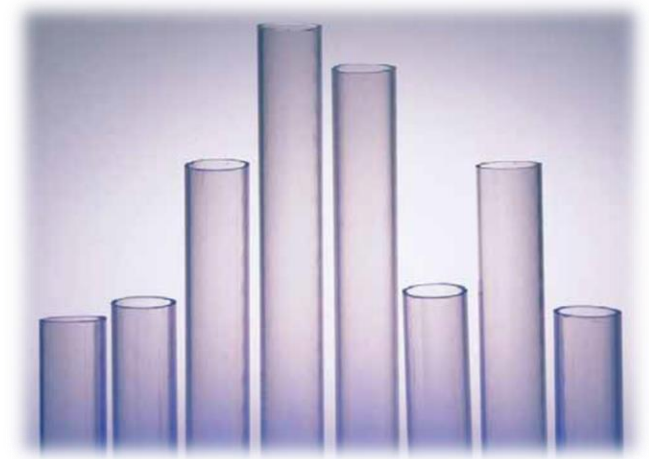
SCH.40/80 UPVC, CPVC, CLEAR PVC PIPING SYSTEM



UPVC SCH.80 PIPE
1/2" - 24"



CPVC SCH.80 PIPE
1/2" - 24"

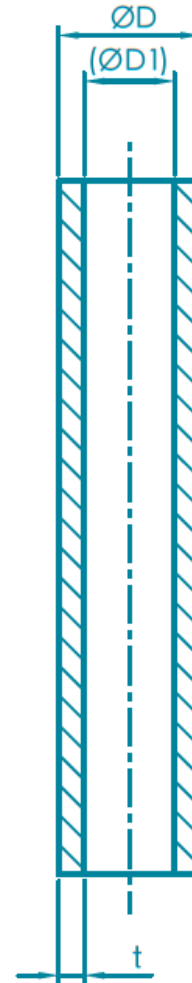


Clear PVC SCH.40 PIPE
1/2" - 12"

SCH.80 PIPE UPVC/CPVC : ½" – 24"

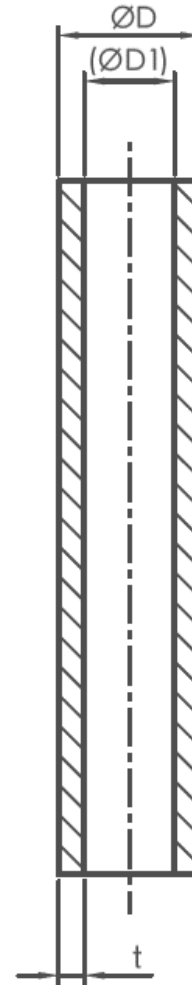
Size	Standard			
	D	Tolerance	t(min)	Tolerance
1/2"	21.34	±0.10	3.73	+0.51
3/4"	26.67	±0.10	3.91	+0.51
1"	33.40	±0.13	4.55	+0.53
1-1/4"	42.16	±0.13	4.85	+0.58
1-1/2"	48.26	±0.15	5.08	+0.61
2"	60.32	±0.15	5.54	+0.66
2-1/2"	73.02	±0.18	7.01	+0.84
3"	88.90	±0.20	7.62	+0.91
4"	114.30	±0.23	8.56	+1.02
5"	141.30	±0.25	9.52	+1.14
6"	168.28	±0.28	10.97	+1.32
8"	219.08	±0.38	12.70	+1.52
10"	273.05	±0.38	15.06	+1.80
12"	323.85	±0.38	17.45	+2.08
14"	355.60	±0.38	19.05	+2.29
16"	406.40	±0.48	21.41	+2.57
18"	457.20	±0.48	23.80	+2.84
20"	508.00	±0.58	26.20	+3.15
24"	609.60	±0.79	30.94	+3.71

(單位:mm)



SCH.40 CLEAR PIPE : ½" – 12"

Size	Standard			
	D	Tolerance	t(min)	Tolerance
1/2"	21.34	±0.10	2.77	+0.51
3/4"	26.67	±0.10	2.87	+0.51
1"	33.40	±0.13	3.38	+0.51
1-1/4"	42.16	±0.13	3.56	+0.51
1-1/2"	48.26	±0.15	3.68	+0.51
2"	60.32	±0.15	3.91	+0.51
2-1/2"	73.02	±0.18	5.16	+0.61
3"	88.90	±0.20	5.49	+0.66
4"	114.30	±0.23	6.02	+0.71
* 6"	168.28	±0.28	7.00	+1.00
* 8"	219.08	±0.38	7.00	+1.00
* 10"	273.05	±0.38	8.00	+1.50
* 12"	323.85	±0.38	8.00	+1.50





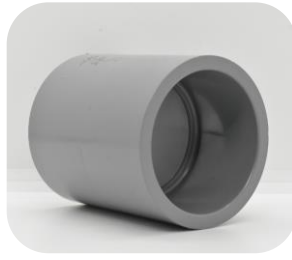
Elbow 90
1/2" -14"



Elbow 45
1/2" -14"



Female Adapter
1/2" -4"



Coupling
1/2" -16"



Tee
1/2" -14"



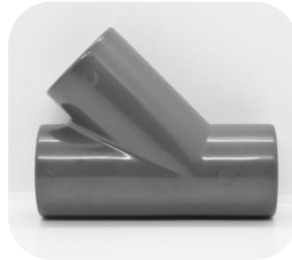
Cross
1/2" -4"



Cap
1/2" -16"



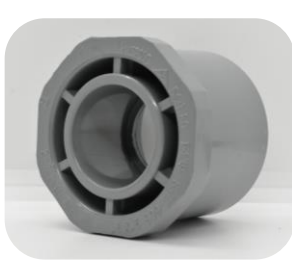
Male Adapter
1/2" -4"



Y-Tee
1/2" -8"



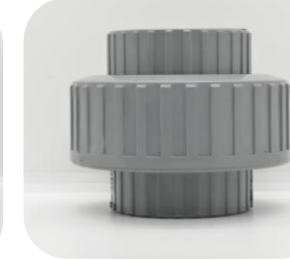
Reducer Tee
3/4" x 1/2" - 14" x 12"



Reducer Bushing
1/2" x 1/4" - 14" x 12"



Reducer Coupling
3/4" x 1/2" - 4" x 3"



Union
3/8" -4"



TS Flange
1/2" -12"



Van Stone Flange
1/2" -24"



Rubber Gasket
1/2" -12"



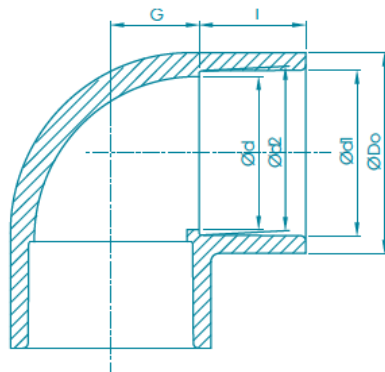
Y/T Strainer



Blind Flange
1/2" -12"

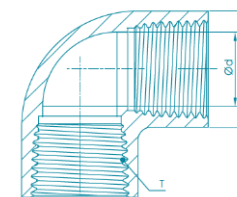
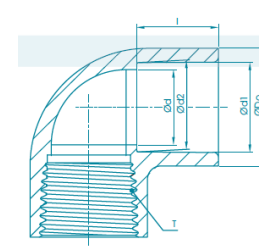
SCH.80 90 Elbow (Slip x Slip) " 1/2" -14"

Size	Outside Dia	Socket Type			Structure Diameter	
	D0	d1	d2	I	d	G
1/2"	31.50	21.54	21.23	22.22	16.50	12.80
3/4"	38.00	26.87	26.57	25.40	22.00	15.30
1"	46.00	33.65	33.27	28.58	28.00	18.00
1-1/4"	55.00	42.42	42.04	31.75	35.00	23.00
1-1/2"	60.00	48.56	48.11	34.93	43.00	26.00
2"	75.00	60.63	60.17	38.10	54.00	32.00
2-1/2"	90.00	73.38	72.85	44.45	69.00	38.00
3"	107.00	89.31	88.70	47.63	84.00	48.00
4"	133.00	114.76	114.07	57.15	105.00	59.00
5"	163.50	141.81	141.05	66.68	136.00	80.00
6"	191.00	168.83	168.00	76.20	150.00	89.00
8"	246.00	219.84	218.69	101.60	200.00	115.00
10"	306.50	273.81	272.67	127.00	265.00	150.00
12"	364.00	324.61	323.47	152.40	315.00	180.00
14"	396.50	356.49	355.22	*180.00	346.00	248.00



(Slip x NPT) & (NPT x NPT)

Size	Outside Dia	Socket Type			Structure Diameter	
	D0	d1	d2	I	d	NPT (thd./in)
1/2"	30.5	21.54	21.23	22.22	16	14.0
3/4"	38.0	26.87	26.57	25.40	22	14.0
1"	46.0	33.65	33.27	28.58	28	11.5
1-1/4"	55.0	42.42	42.04	31.75	35	11.5
1-1/2"	60.0	48.56	48.11	34.93	43	11.5
2"	75.0	60.63	60.17	38.10	54	11.5



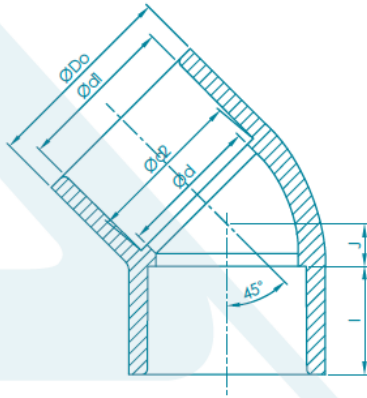
備註：假如有註記“*”，則表示該項，沒有符合ATSM標準。

(單位:mm)

(單位:mm)

SCH.80 45 Elbow (Slip x Slip) : ½" – 14"

Size	Outside Dia	Socket Type			Structure Diameter	
	D0	d1	d2	I	d	J
1/2"	30.5	21.54	21.23	22.22	16.5	6.5
3/4"	39.5	26.87	26.57	25.40	22.0	8.0
1"	46.0	33.65	33.27	28.58	28.0	8.0
1-1/4"	56.0	42.42	42.04	31.75	35.0	10.0
1-1/2"	62.5	48.56	48.11	34.93	43.0	12.0
2"	75.0	60.63	60.17	38.10	54.0	16.0
2-1/2"	90.0	73.38	72.85	44.45	69.0	18.0
3"	107.0	89.31	88.70	47.63	84.0	20.0
4"	133.0	114.76	114.07	57.15	108.0	26.0
5"	163.5	141.81	141.05	66.68	136.0	38.5
6"	191.0	168.83	168.00	76.20	150.0	45.0
8"	246.0	219.84	218.69	101.60	200.0	51.0
10"	307.0	273.81	272.67	127.00	265.0	60.0
12"	364.0	324.61	323.47	152.40	315.0	73.0
14"	396.5	356.49	355.22	*180.00	350.0	90.0

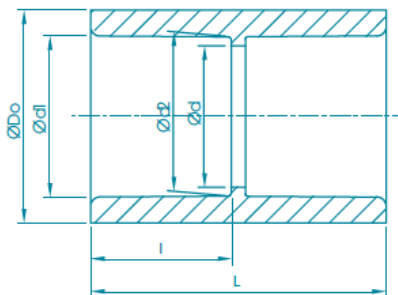


備註：假如有註記“*”，則表示該項，沒有符合ATSM標準。

(單位:mm)

SCH.80 COUPLING (Slip x Slip) : ½" – 16"

Size	Outside Dia	Socket Type			Structure Diameter	
	D0	d1	d2	I	d	L
1/2"	30.5	21.54	21.23	22.22	16.5	52.0
3/4"	37.6	26.87	26.57	25.40	22.0	60.0
1"	47.0	33.65	33.27	28.58	28.0	65.0
1-1/4"	55.5	42.42	42.04	31.75	35.0	75.0
1-1/2"	60.9	48.56	48.11	34.93	42.5	79.5
2"	73.4	60.63	60.17	38.10	54.0	88.0
2-1/2"	89.0	73.38	72.85	44.45	65.0	100.0
3"	106.0	89.31	88.70	47.63	80.0	108.0
4"	133.0	114.76	114.07	57.15	100.0	126.0
5"	163.0	141.81	141.05	66.68	134.5	160.0
6"	191.0	168.83	168.00	76.20	158.0	169.0
8"	246.0	219.84	218.69	101.60	200.0	220.0
10"	307.0	273.81	272.67	127.00	259.0	283.0
12"	364.0	324.61	323.47	152.40	308.0	336.5
14"	396.5	356.49	355.22	205.00	346.0	436.5
16"	454.0	407.54	405.89	230.00	396.0	486.5



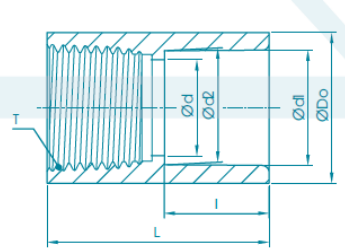
備註：假如有註記“*”，則表示該項，沒有符合ATSM標準。

(單位:mm)

SCH.80 FEMALE ADAPTER (Slip x NPT) : ½" – 4"

Size	Outside Dia	Socket Type			Structure Diameter		
	D0	d1	d2	I	d	L	NPT(thd./in)
1/2"	30.5	21.54	21.23	22.22	16.5	52.0	14.0
3/4"	37.0	26.87	26.57	25.40	24.22	60.0	14.0
1"	47.0	33.65	33.27	28.58	28.00	65.0	11.5
1-1/4"	55.5	42.42	42.04	31.75	35.00	75.0	11.5
1-1/2"	63.0	48.56	48.11	34.93	42.50	79.5	11.5
2"	75.0	60.63	60.17	38.10	54.00	88.0	11.5

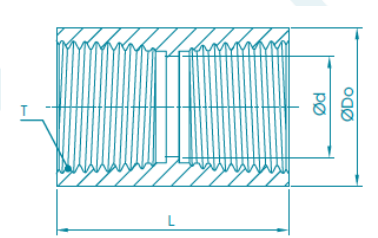
(單位:mm)



SCH.80 COUPLING (NPT x NPT)

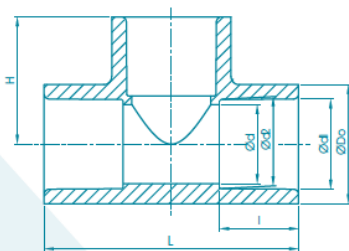
Size	Outside Dia	Socket Type			Structure Diameter		
	D0	d1	d2	I	d	L	NPT(thd./in)
1/2"	30.5	21.54	21.23	22.22	16.5	52.0	14.0
3/4"	37.0	26.87	26.57	25.40	24.22	60.0	14.0
1"	47.0	33.65	33.27	28.58	28.00	65.0	11.5
1-1/4"	55.5	42.42	42.04	31.75	35.00	75.0	11.5
1-1/2"	63.0	48.56	48.11	34.93	42.50	79.5	11.5
2"	75.0	60.63	60.17	38.10	54.00	88.0	11.5

(單位:mm)



SCH.80 TEE (Slip x Slip) : ½"-14"

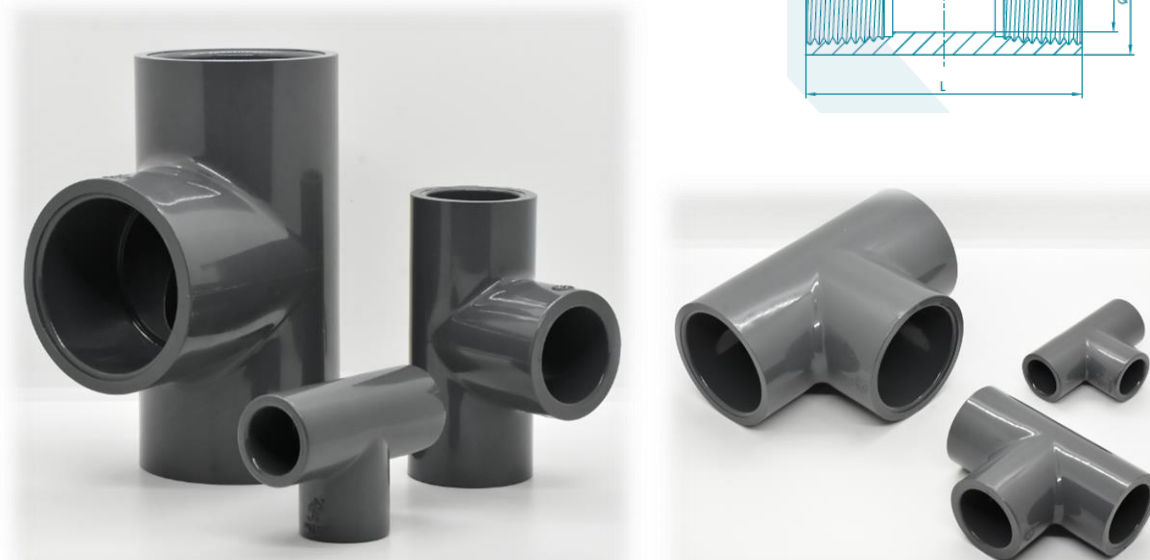
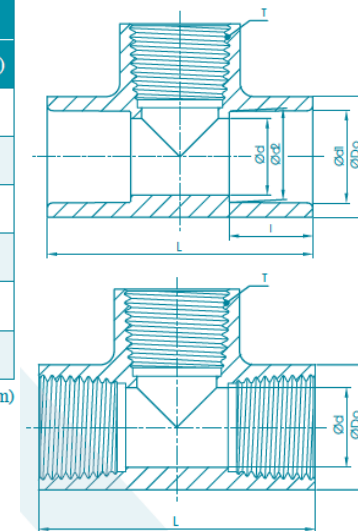
Size	Outside Dia	Socket Type			Structure Diameter		
	D0	d1	d2	I	d	L	H
1/2"	30.2	21.54	21.23	22.22	16.5	72.3	37.25
3/4"	37.0	26.87	26.57	25.40	24.0	89.1	42.50
1"	45.7	33.65	33.27	28.58	27.5	102.5	51.50
1-1/4"	55.5	42.42	42.04	31.75	35.0	119.0	57.70
1-1/2"	62.3	48.56	48.11	34.93	41.0	132.0	64.00
2"	75.0	60.63	60.17	38.10	52.0	151.9	73.00
2-1/2"	92.0	73.38	72.85	44.45	69.0	173.0	86.50
3"	109.0	89.31	88.70	47.63	84.0	197.0	98.50
4"	135.0	114.76	114.07	57.15	109.0	239.0	119.50
5"	163.5	141.81	141.05	66.68	136.0	298.0	149.00
6"	191.0	168.83	168.00	76.20	150.0	336.4	168.20
8"	246.0	219.84	218.69	101.60	200.0	439.0	219.50
10"	317.0	273.81	272.67	127.00	265.0	560.0	280.00
12"	364.0	324.61	323.47	152.40	315.0	660.0	330.00
14"	396.5	356.49	355.22	*180.00	346.0	856.5	428.20



(Slip x Slip x NPT) & (NPT x NPT x NPT)

Size	Outside Dia	Socket Type			Structure Diameter		
	D0	d1	d2	I	d	L	NPT(thd./in)
1/2"	32.0	21.54	21.23	22.22	16.5	74.5	14.0
3/4"	37.0	26.87	26.57	25.40	24.0	85.0	14.0
1"	48.5	33.65	33.27	28.58	28.0	97.0	11.5
1-1/4"	55.5	42.42	42.04	31.75	35.0	115.5	11.5
1-1/2"	63.5	48.56	48.11	34.93	41.0	128.0	11.5
2"	75.0	60.63	60.17	38.10	52.0	146.0	11.5

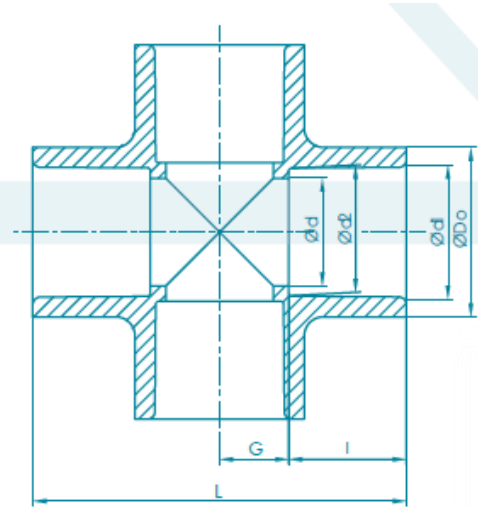
(單位 : mm)



SCH.80 CROSS (Slip x Slip x Slip) : ½" – 4"

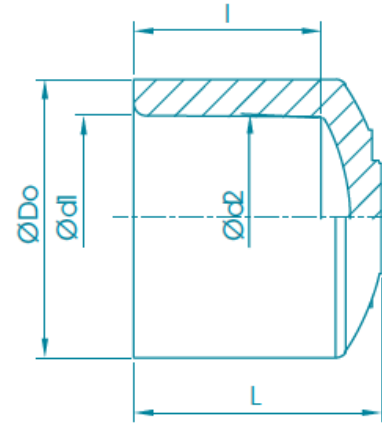
Size	Outside Dia	Socket Type			Structure Diameter		
	D0	d1	d2	I	d	G	L
1/2"	32.0	21.54	21.23	22.22	16.5	13.0	74.5
3/4"	44.0	26.87	26.57	25.40	22.0	15.4	86.0
1"	46.0	33.65	33.27	28.58	28.0	17.8	97.0
1-1/4"	56.0	42.42	42.04	31.75	35.0	23.0	116.0
1-1/2"	63.5	48.56	48.11	34.93	43.0	26.1	128.5
2"	74.0	60.63	60.17	38.10	54.0	31.8	146.0
2-1/2"	89.0	73.38	72.85	44.45	65.0	37.8	171.0
3"	105.0	89.31	88.70	47.63	80.0	47.6	196.0
4"	132.0	114.76	114.07	57.15	100.0	58.0	236.5

(單位 : mm)



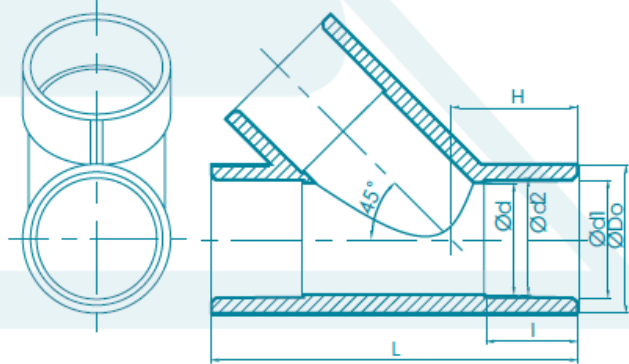
SCH.80 CAP : ½" – 16"

Size	Outside Dia	Socket Type			Structure Diameter
	D0	d1	d2	I	L
1/2"	30.5	21.54	21.23	22.22	31.0
3/4"	37.0	26.87	26.57	25.40	36.0
1"	45.5	33.65	33.27	28.58	41.0
1-1/4"	55.0	42.42	42.04	31.75	46.0
1-1/2"	61.5	48.56	48.11	34.93	50.0
2"	75.0	60.63	60.17	38.10	55.5
2-1/2"	91.0	73.38	72.85	44.45	65.5
3"	106.0	89.31	88.70	47.63	69.5
4"	134.0	114.76	114.07	57.15	78.0
5"	163.5	141.81	141.05	66.68	108.0
6"	193.0	168.83	168.00	76.20	118.5
8"	246.0	219.84	218.69	101.6	143.0
10"	307.0	273.81	272.67	127.00	194.0
12"	366.0	324.61	323.47	152.40	235.5
14"	395.0	356.49	355.22	180.00	226.0
16"	452.0	407.54	405.89	205.00	258.5



SCH.80 Y-TEE 45 : 1/2" - 8"

Size	Outside Dia	Socket Type			Structure Diameter		
	D0	d1	d2	I	d	L	H
1/2"	30.5	21.54	21.23	22.22	19.0	90	34
3/4"	36.0	26.87	26.57	25.40	24.5	105	40
1"	44.0	33.65	33.27	28.58	31.0	117	42
1-1/4"	61.0	42.42	42.04	31.75	40.0	150	52
1-1/2"	61.0	48.56	48.11	34.93	46.0	150	52
2"	76.5	60.63	60.17	38.10	58.5	181	60
3"	106.0	89.31	88.70	47.63	74.0	222	68
4"	132.0	114.76	114.07	57.15	100.0	277	83
6"	191.0	168.83	168.00	76.20	150.0	393	114
8"	246.0	219.84	218.69	101.60	200.0	570	177

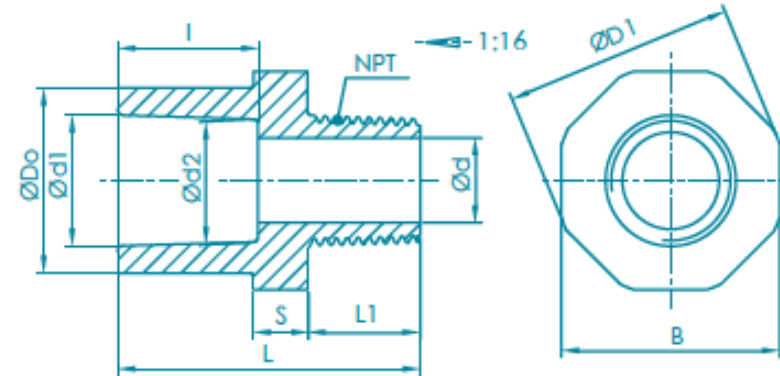


(單位 : mm)

SCH.80 Male Adapter (Slip x NPT) : 1"-4"

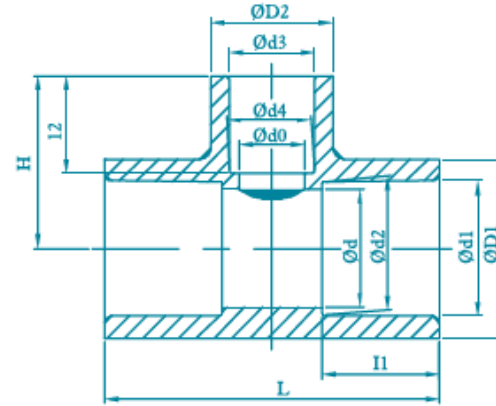
Size	Outside Dia	Socket Type			Structure Diameter					
	D0	d1	d2	I	d	L	L1	B	D1	NPT
1/2"	30.5	21.54	21.23	22.22	13	50	19	36	38	14.0
3/4"	35.0	26.87	26.57	25.40	17	50	15	41	43	14.0
1"	44.0	33.65	33.27	28.58	23	59	21	50	53	11.5
1-1/4"	54.0	42.42	42.04	31.75	29	61	19	60	63	11.5
1-1/2"	60.0	48.56	48.11	34.93	37	72	27	65	68	11.5
2"	73.0	60.63	60.17	38.10	48	77	27	80	83	8.0
2-1/2"	88.0	73.38	72.85	44.45	57	97	40	95	100	8.0
3"	105.0	89.31	88.70	47.63	72	103	42	115	122	8.0
4"	132.0	114.76	114.07	57.15	96	116	45	145	154	8.0

(單位 : mm)



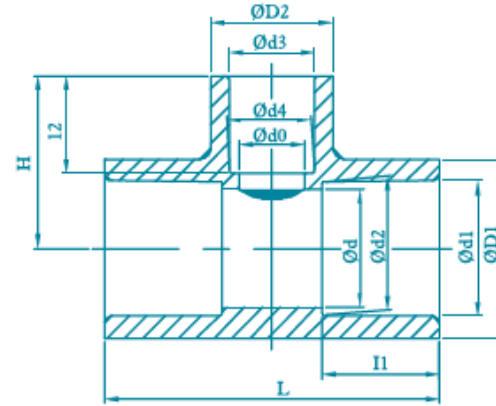
SCH.80 REDUCER TEE (Slip x Slip x Slip) 3/4" – 3"

Size	Outside Dia		Socket Type						Structure Diameter			
	D1	D2	d1	d2	I1	d3	d4	I2	L	H	d	d0
3/4"X3/4"X1/2"	37.0	32.0	26.87	26.57	25.40	21.54	21.23	22.22	88.0	38.5	22	16.5
1"X1"X1/2"	44.0	30.0	33.65	33.27	28.58	21.54	21.23	22.22	97.0	41.0	28	16.5
1"X1"X3/4"	46.0	32.0	33.65	33.27	28.58	26.87	26.57	25.40	97.0	44.0	28	22.0
1"X1"X2"	44.0	73.0	33.65	33.27	28.58	60.63	60.17	38.10	97.0	65.0	28	28.0
1-1/4"X1-1/4"X1/2"	57.0	32.0	42.42	42.04	31.75	21.54	21.23	22.20	116.0	44.5	35	16.5
1-1/4"X1-1/4"X3/4"	57.0	37.0	42.42	42.04	31.75	26.87	26.57	25.40	116.0	48.0	35	22.0
1-1/4"X1-1/4"X1"	57.0	46.0	42.42	42.04	31.75	33.65	33.27	28.58	116.0	52.0	35	28.0
1-1/2"X1-1/2"X1/2"	62.0	32.0	48.56	48.11	34.93	21.54	21.23	22.22	128.5	48.5	43	16.5
1-1/2"X1-1/2"X3/4"	62.0	37.0	48.56	48.11	34.93	26.87	26.57	25.40	128.5	52.0	43	22.0
1-1/2"X1-1/2"X1"	62.0	48.0	48.56	48.11	34.93	33.65	33.27	28.58	128.5	55.5	43	28.0
1-1/2"X1-1/2"X1-1/4"	62.0	56.0	48.56	48.11	34.93	42.42	42.04	31.75	128.5	60.0	43	35.0
2"X2"X1/2"	76.0	32.5	60.63	60.17	38.10	21.54	21.23	22.22	146.0	54.0	54	16.5
2"X2"X3/4"	76.0	37.0	60.63	60.17	38.10	26.87	26.57	25.40	146.0	57.5	54	22.0
2"X2"X1"	76.0	46.0	60.63	60.17	38.10	33.65	33.27	28.58	146.0	60.5	54	28.0
2"X2"X1-1/4"	76.0	56.0	60.63	60.17	38.10	42.42	42.04	31.75	146.0	65.0	54	35.0
2"X2"X1-1/2"	76.0	62.0	60.63	60.17	38.10	48.56	48.11	34.93	146.0	69.0	54	43.0
2-1/2"X2-1/2"X1"	91.0	46.0	73.38	72.85	44.45	33.65	33.27	28.58	171.0	67.5	65	28.0
2-1/2"X2-1/2"X1-1/4"	91.0	54.0	73.38	72.85	44.45	42.42	42.04	31.75	171.0	72.0	65	35.0
2-1/2"X2-1/2"X1-1/2"	91.0	62.0	73.38	72.85	44.45	48.56	48.11	34.93	171.0	75.5	65	43.0
2-1/2"X2-1/2"X2"	91.0	75.0	73.38	72.85	44.45	60.63	60.17	38.10	171.0	79.0	65	54.0
3"X3"X1"	107.0	46.0	89.31	88.70	47.63	33.65	33.27	28.58	196.0	77.5	80	28.0
3"X3"X1-1/4"	107.0	56.0	89.31	88.70	47.63	42.42	42.04	31.75	196.0	77.5	80	35.0
3"X3"X1-1/2"	107.0	62.0	89.31	88.70	47.63	48.56	48.11	34.93	196.0	82.0	80	43.0
3"X3"X2"	107.0	75.0	89.31	88.70	47.63	60.63	60.17	38.10	196.0	86.5	80	54.0
3"X3"X2-1/2"	107.0	91.0	89.31	88.70	47.63	73.38	72.85	44.45	196.0	95.0	80	65.0



SCH.80 REDUCER TEE (Slip x Slip x Slip) 4" – 10"

Size	Outside Dia		Socket Type						Structure Diameter			
	D1	D2	d1	d2	I1	d3	d4	I2	L	H	d	d0
4"X4"X1"	133.0	46.0	114.76	114.07	57.15	33.65	33.27	28.58	237.5	89.5	100	28.0
4"X4"X1-1/4"	133.0	57.0	114.76	114.07	60.15	42.42	42.04	31.75	237.5	90.5	100	38.0
4"X4"X1-1/2"	133.0	64.0	114.76	114.07	57.15	48.56	48.11	34.93	237.5	97.0	100	43.0
4"X4"X2"	133.0	75.0	114.76	114.07	57.15	60.63	60.17	38.10	237.5	96.0	100	54.0
4"X4"X2-1/2"	133.0	91.0	114.76	114.07	57.15	73.38	72.85	44.45	237.5	104.0	100	65.0
4"X4"X3"	133.0	107.0	114.76	114.07	57.15	89.31	88.70	47.63	237.5	110.0	100	80.0
5"X5"X2"	163.0	75.0	141.81	141.04	66.68	60.63	60.17	38.10	237.5	114.5	132	54.0
6"X6"X1"	191.0	45.0	168.83	168.00	76.20	33.65	33.27	28.58	298.0	115.0	150	29.0
6"X6"X1-1/4"	191.0	54.0	168.83	168.00	76.20	42.42	42.04	31.75	336.5	120.0	150	38.0
6"X6"X1-1/2"	191.0	60.5	168.83	168.00	76.20	48.56	48.11	34.93	336.5	123.0	150	44.0
6"X6"X2"	191.0	73.0	168.83	168.00	76.20	60.63	60.17	38.10	336.5	125.0	150	54.0
6"X6"X2-1/2"	191.0	89.0	168.83	168.00	79.20	73.88	72.85	44.45	336.5	130.0	150	65.0
6"X6"X3"	191.0	105.0	168.83	168.00	76.20	89.31	88.7	47.63	336.5	135.0	150	80.0
6"X6"X4"	191.0	132.0	168.83	168.00	76.20	114.76	114.07	57.15	336.5	145.0	150	100.0
8"X8"X2"	246.0	75.0	219.84	218.69	101.60	60.63	60.17	38.10	439.0	151.0	200	54.0
8"X8"X3"	246.0	105.0	219.84	218.69	101.60	89.31	88.70	47.63	439.0	160.0	200	80.0
8"X8"X4"	246.0	132.0	219.84	218.69	101.60	114.76	114.07	57.15	439.0	170.0	200	100.0
8"X8"X6"	246.0	191.0	219.84	218.69	101.60	168.83	168.00	76.20	439.0	194.0	200	150.0
10"X10"X2"	307.0	74.0	273.81	272.67	127.00	60.63	60.17	38.10	560.0	185.0	265	54.0
10"X10"X3"	307.0	107.0	273.81	272.67	127.00	89.31	88.70	47.63	560.0	194.0	265	80.0
10"X10"X4"	307.0	134.0	273.81	272.67	127.00	114.76	114.07	57.15	560.0	205.0	265	100.0
10"X10"X6"	307.0	193.0	273.81	272.67	127.00	168.83	168.00	76.20	560.0	225.0	265	160.0
10"X10"X8"	307.0	248.0	273.81	272.67	127.00	219.84	218.69	101.60	560.0	250.0	265	210.0

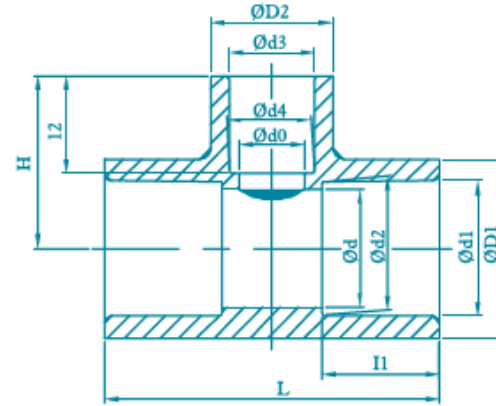


SCH.80 REDUCER TEE (Slip x Slip x Slip) 12" – 14"

Size	Outside Dia		Socket Type						Structure Diameter			
	D1	D2	d1	d2	l1	d3	d4	l2	L	H	d	d0
12"X12"X2"	364.0	74.0	324.61	323.47	152.40	60.63	60.17	38.10	660.0	215.0	315	54.0
12"X12"X3"	364.0	108.0	324.61	323.47	152.40	89.31	88.70	47.63	660.0	225.0	315	80.0
12"X12"X4"	364.0	136.0	324.61	323.47	152.40	114.76	114.07	57.15	660.0	235.0	315	100.0
12"X12"X6"	364.0	195.0	324.61	323.47	152.40	168.83	168.00	76.20	660.0	255.0	315	160.0
12"X12"X8"	364.0	248.0	324.61	323.47	152.40	219.84	218.69	101.60	660.0	280.0	315	210.0
12"X12"X10"	364.0	308.0	324.61	323.47	152.40	273.81	272.67	127.00	660.0	298.0	315	265.0
14"X14"X4"	396.5	133.0	356.49	355.22	205.00	114.76	114.07	57.15	856.5	290.0	346	100.0
14"X14"X6"	396.5	192.0	356.49	355.22	*205.00	168.83	168.00	76.20	856.5	310.0	346	144.0
14"X14"X8"	396.5	246.0	356.49	355.22	*205.00	219.84	218.69	101.60	856.5	339.0	346	200.0
14"X14"X10"	396.5	307.0	356.49	355.22	*205.00	273.81	272.67	127.00	856.5	365.0	346	259.0
14"X14"X12"	396.5	364.0	356.49	355.22	*205.00	324.61	323.47	152.40	856.5	390.0	346	308.0

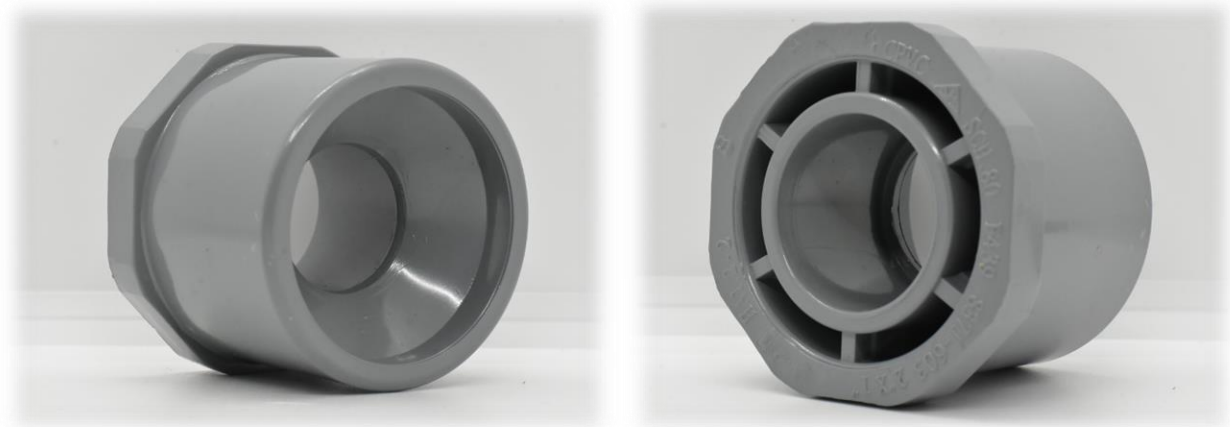
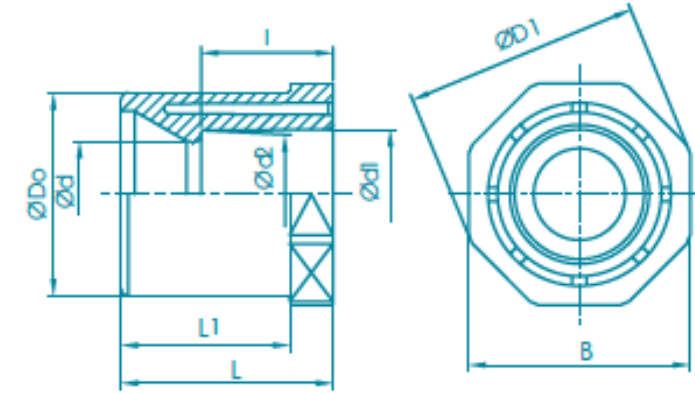
備註：假如有註記“*”，則表示該項，沒有符合ATSM標準。

(單位: mm)



SCH.80 REDUCER BUSHING (Spig x Slip) : ½" – 3"

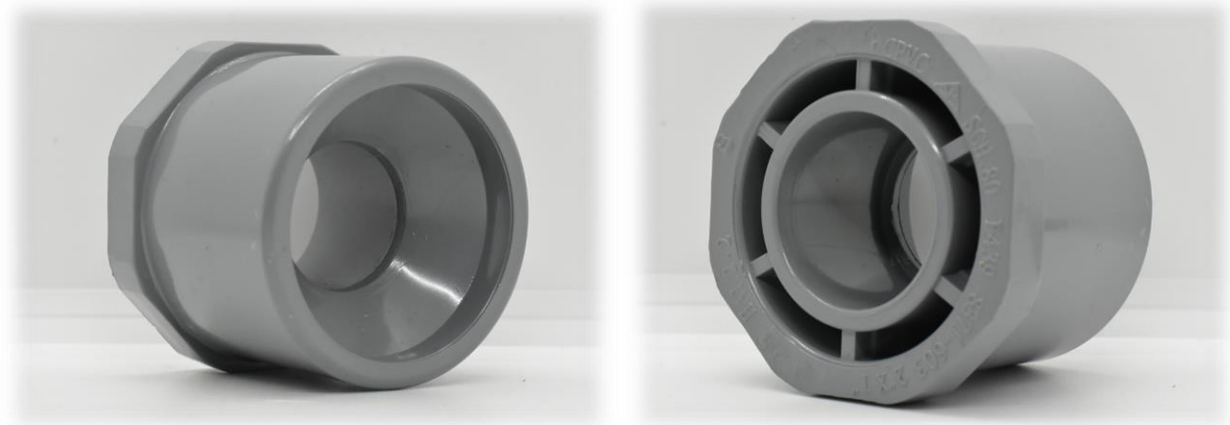
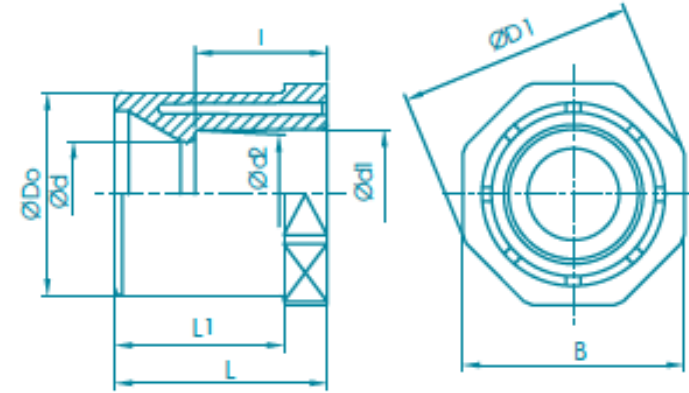
Size	Outside Dia	Socket Type			Structure Diameter				
	D0	d1	d2	I	d	L	L1	D1	B
1/2"X1/4"	21.34	14.02	13.61	19.0	11.0	29	23.0	31.0	30
1/2"X3/8"	21.34	17.45	17.04	22.0	12.0	29	23.0	31.0	30
3/4"X1/2"	26.67	21.54	21.23	24.0	13.0	33	27.0	31.0	30
1"X3/8"	33.40	17.45	17.04	24.0	12.0	38	30.0	39.5	38
1"X1/2"	33.40	21.54	21.23	24.0	12.0	38	30.0	39.5	38
1"X3/4"	33.40	26.87	26.57	26.0	18.0	38	30.0	39.5	38
1-1/4"X1/2"	42.16	21.54	21.23	24.2	16.5	44	35.0	52.0	50
1-1/4"X3/4"	42.16	26.87	26.57	26.0	21.0	44	35.0	52.0	50
1-1/4"X1"	42.16	33.65	33.27	29.5	28.0	44	35.0	52.0	50
1-1/2"X1/2"	48.26	21.54	21.23	24.2	16.5	47	38.0	58.0	55
1-1/2"X3/4"	48.26	26.87	26.57	26.0	21.0	47	38.0	58.0	55
1-1/2"X1"	48.26	33.65	33.27	29.5	28.0	47	38.0	58.0	55
1-1/2"X1-1/4"	48.26	42.42	42.04	32.5	35.0	47	38.0	58.0	55
2"X1/2"	60.33	21.54	21.23	24.2	16.5	52	42.0	68.0	65
2"X3/4"	60.33	26.87	26.57	26.0	21.0	52	39.0	68.0	65
2"X1"	60.33	33.65	33.27	29.5	28.0	52	39.0	68.0	65
2"X1-1/4"	60.33	42.42	42.04	32.5	35.0	52	39.0	68.0	65
2"X1-1/2"	60.33	48.56	48.11	35.5	43.0	52	39.0	68.0	65
2-1/2"X1-1/4"	73.03	42.42	42.04	32.5	36.0	60	48.5	85.0	80
2-1/2"X1-1/2"	73.03	48.56	48.11	35.5	43.0	60	48.5	85.0	80
2-1/2"X2"	73.03	60.63	60.17	39.1	52.0	60	48.5	85.0	80
3"X1-1/2"	88.90	48.56	48.11	35.5	43.0	65	51.0	105.0	99
3"X2"	88.90	60.63	60.17	39.1	54.0	65	51.0	105.0	99
3"X2-1/2"	88.90	73.38	72.85	47.5	65.0	65	51.0	105.0	99



SCH.80 REDUCER BUSHING (Spig x Slip) : 4" – 14"

Size	Outside Dia	Socket Type			Structure Diameter				
	D0	d1	d2	I	d	L	L1	D1	B
4"X2"	114.30	60.63	60.17	41.1	54.0	75	60.5	132.0	125
4"X2-1/2"	114.30	73.38	72.85	47.5	65.0	75	60.5	132.0	125
4"X3"	114.30	89.31	88.70	50.6	80.0	75	60.5	132.0	125
5"X4"	114.30	114.76	114.10	60.2	100.0	82	69.6	150.0	145
6"X2"	168.28	60.63	60.17	41.1	51.0	89	76.5	191.0	180
6"X3"	168.28	89.31	88.70	50.6	80.0	89	76.5	191.0	180
6"X4"	168.28	114.76	114.10	60.2	105.0	89	76.5	191.0	180
6"X5"	168.28	114.81	114.10	69.5	125.0	89	76.5	191.0	180
8"X4"	219.10	114.76	114.10	60.5	100.0	120	104.6	246.0	235
8"X6"	219.10	168.83	168.00	79.0	150.0	120	104.6	246.0	235
10"X3"	273.05	89.31	88.700	50.6	80.0	148	130.0	290.0	280
10"X4"	273.05	114.76	114.10	60.2	105.0	148	130.0	290.0	280
10"X6"	273.05	168.83	168.00	79.2	150.0	148	130.0	290.0	280
10"X8"	273.05	219.84	218.69	105.0	200.0	148	130.0	290.0	280
12"X4"	323.85	114.76	114.10	60.2	100.0	175	155.0	345.0	330
12"X6"	323.85	168.83	168.00	79.2	150.0	175	155.0	345.0	330
12"X8"	323.85	219.84	218.69	105.0	200.0	175	155.0	345.0	330
12"X10"	323.85	273.81	272.67	130.0	245.0	175	155.0	345.0	330
14"X10"	355.60	324.61	323.47	130.0	245.0	200	180.0	380.0	360
14"X12"	355.60	324.61	323.47	135.0	300.0	200	180.0	380.0	360

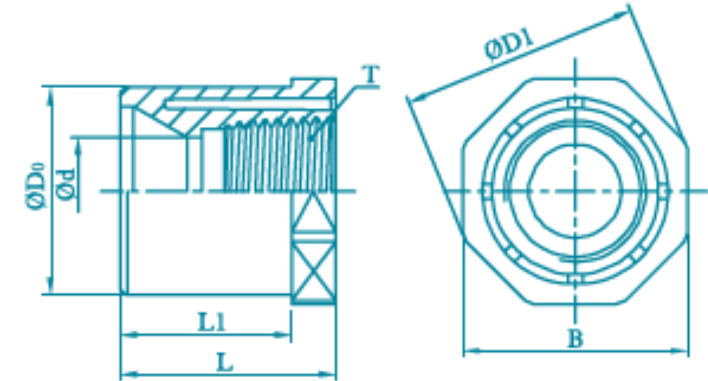
(單位: mm)



SCH.80 REDUCER BUSHING (Spig x NPT) : ½"-1"

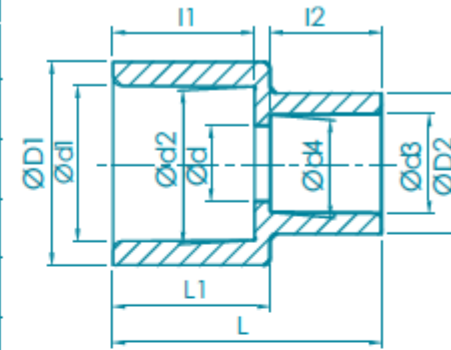
Size	Outside Dia	Structure Diameter					
	D0	d	L	L1	B	D1	NPT(thd./in)
1/2"X1/4"	21.34	11	29	23	30	31.0	18
1/2"X3/8"	21.34	12	29	23	30	31.0	18
3/4"X1/2"	26.67	13	33	27	30	31.0	14
1"X3/8"	33.40	12	38	30	38	39.5	18
1"X1/2"	33.40	12	38	30	38	39.5	14
1"X3/4"	33.40	18	38	30	38	39.5	14

(單位 : mm)



SCH.80 REDUCER COUPLING (Slip x Slip) : 3/4"-2"

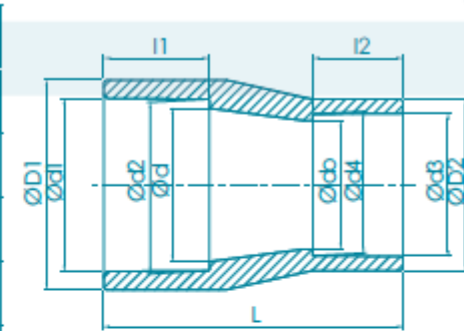
Size	Outside Dia		Socket Type						Structure Diameter		
	D1	D2	d1	d2	I1	d3	d4	I2	d	L	L1
3/4" X 1/2"	37.0	30.5	26.87	26.57	25.40	21.54	21.23	22.22	16.5	57.5	30.0
1" X 1/2"	47.0	30.5	33.65	33.27	28.58	21.54	21.23	22.22	16.5	58.0	36.0
1" X 3/4"	47.0	35.0	33.65	33.27	28.58	26.87	26.57	25.40	21.0	61.0	36.0
1-1/4" X 1/2"	55.5	30.5	42.42	42.04	31.75	21.54	21.23	22.22	16.5	62.5	42.0
1-1/4" X 3/4"	55.5	35.0	42.42	42.04	31.75	26.87	26.57	25.40	21.0	65.0	42.0
1-1/4" X 1"	55.5	44.0	42.42	42.04	31.75	33.65	33.27	28.58	28.0	68.5	42.0
1-1/2" X 1/2"	63.0	30.5	48.56	48.11	34.93	21.54	21.23	22.22	16.5	65.0	44.0
1-1/2" X 3/4"	63.0	35.0	48.56	48.11	34.93	26.87	26.57	25.40	21.0	68.0	44.0
1-1/2" X 1"	63.0	44.0	48.56	48.11	34.93	33.65	33.27	28.58	28.0	71.0	44.0
1-1/2" X 1-1/4"	63.0	54.0	48.56	48.11	34.93	42.42	42.04	31.75	35.0	75.0	44.0
2" X 1/2"	75.0	30.5	60.63	60.17	38.10	21.54	21.23	22.22	16.5	68.0	49.5
2" X 3/4"	75.0	35.0	60.63	60.17	38.10	26.87	26.57	25.40	21.0	71.0	49.5
2" X 1"	75.0	44.0	60.63	60.17	38.10	33.65	33.27	28.58	28.0	74.5	49.5
2" X 1-1/4"	75.0	54.0	60.63	60.17	38.10	42.42	42.04	31.75	35.0	78.5	49.5
2" X 1-1/2"	75.0	60.0	60.63	60.17	38.10	48.56	48.11	34.93	42.5	82.5	49.5



(單位：mm)

SCH.80 REDUCER COUPLING (Slip x Slip) : 2-½" – 4"

Size	Outside Dia		Socket Type						Structure Diameter		
	D1	D2	d1	d2	I1	d3	d4	I2	d	d0	L
2-1/2" X 1"	89.0	44.0	73.38	72.85	44.45	33.65	33.27	28.58	65.0	27.5	117.5
2-1/2" X 1-1/2"	89.0	61.0	73.38	72.85	44.45	48.56	48.11	34.93	65.0	42.5	124.0
2-1/2" X 2"	89.0	73.0	73.38	72.85	44.45	60.63	60.17	38.10	65.0	54.5	127.0
3" X 1-1/2"	106.0	61.0	89.31	88.70	47.63	48.56	48.11	34.93	81.0	42.5	136.0
3" X 2"	106.0	73.0	89.31	88.70	47.63	60.63	60.17	38.10	81.0	54.5	140.0
3" X 2-1/2"	106.0	89.0	89.31	88.70	47.63	73.38	72.85	44.45	81.0	65.0	147.0
4" X 2"	133.5	73.0	114.76	114.10	57.15	60.63	60.17	38.10	-	54.5	158.5
4" X 2-1/2"	133.5	89.0	114.76	114.10	57.15	73.38	72.85	44.45	-	65.0	158.5
4" X 3"	133.5	106.0	114.76	114.10	57.15	89.31	88.70	47.63	-	81.0	158.5

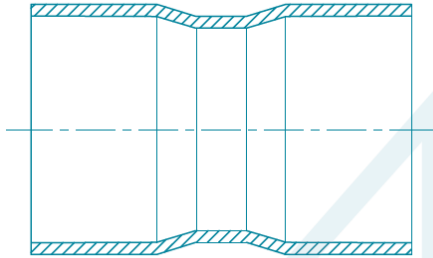


(單位 : mm)



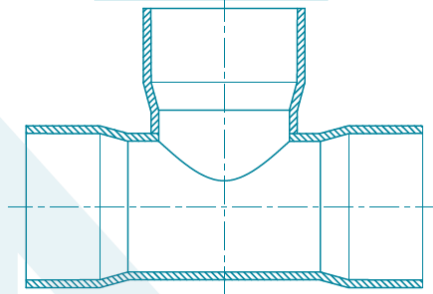
Fabricated Fittings : 8" – 24"

COUPLING



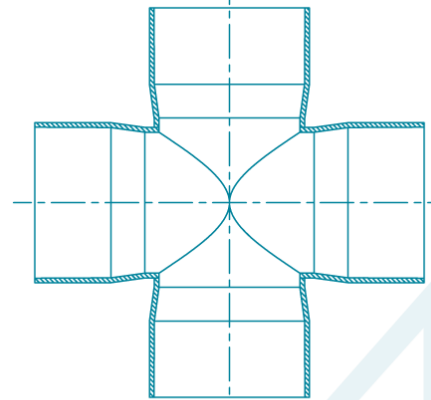
Size : 14"~24"

TEE



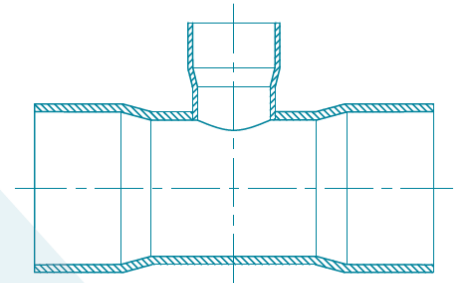
Size : 14"~24"

CROSS



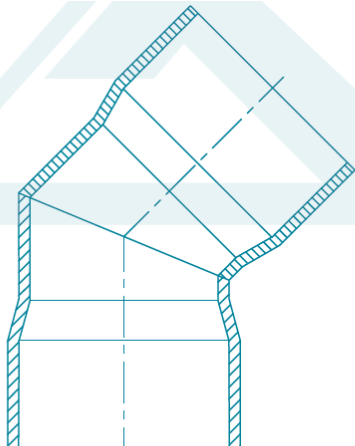
Size : 8"~24"

REDUCER TEE



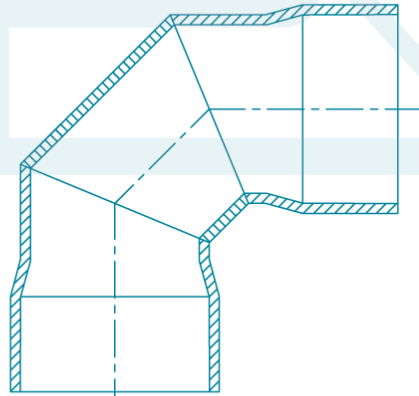
Size : 12" ~ 24"

45 ELBOW



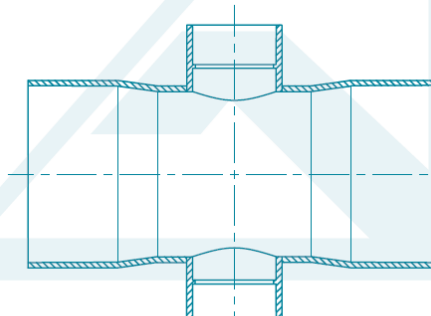
Size : 14"~24"

90 ELBOW



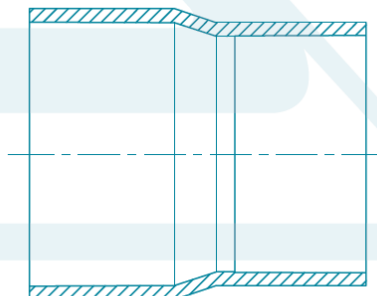
Size : 14"~24"

REDUCER CROSS



Size : 8"~24"

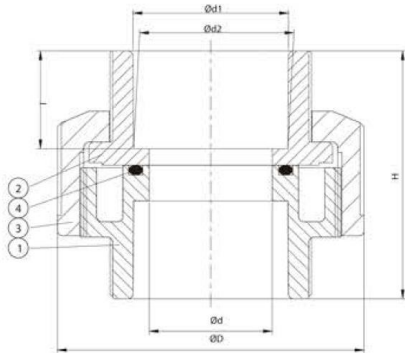
REDUCER COUPLING



Size : 6"~24"

VP-240 Unions : 3/8" – 4"

Type 品號	Size 尺寸	Standard 規格	Material 材質	O-ring O環	End type 接口
VP-240	3/8"~4"	ANSI, JIS, DIN, BS	UPVC	EPDM, FPM	Socket, Threaded
VP-241	3/8"~4"	ANSI, JIS, DIN, BS, CTS	CPVC	EPDM, FPM	Socket, Threaded
VP-243	3/8"~4"	ANSI, JIS, DIN, BS	PVDF	EPDM, FPM	Socket, Threaded
VP-244	3/8"~4"	ANSI, JIS, DIN, BS	PP	EPDM, FPM	Socket, Threaded



- Suitable for any kind of piping system and easy to be installed.

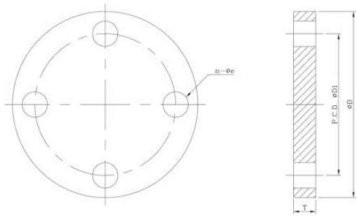


VP-250 Blind Flange | VP-260 TS Flange | VP-270 Van Stone Flange : ½" – 12"

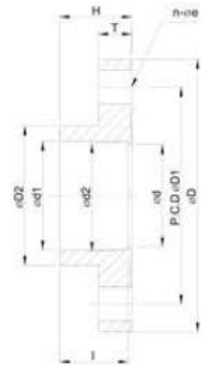
Type 品號	Size 尺寸	Standard 規格	Material 材質	End type 接口
VP-250	1/2"~12"	ANSI, JIS, DIN	UPVC	Flanged
VP-251	1/2"~12"	ANSI, JIS, DIN	CPVC	Flanged
VP-260	1/2"~12"	ANSI, JIS, DIN	UPVC	Socket, Threaded / Flanged
VP-261	1/2"~12"	ANSI, JIS, DIN	CPVC	Socket, Threaded / Flanged
VP-270	1/2"~24"	ANSI	UPVC	Socket, Threaded / Flanged
VP-271	1/2"~24"	ANSI	CPVC	Socket, Threaded / Flanged

- Specification: JIS 10K / ANSI 150 LBS / DIN PN10 @73.4°F(23°C), Gasket type

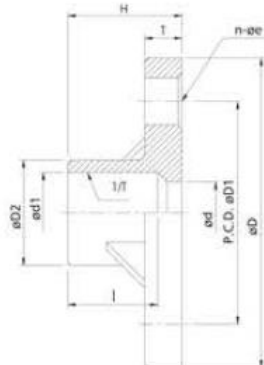
● BLIND FLANGE



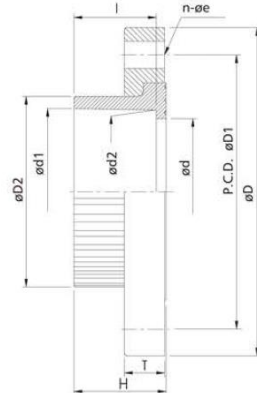
● ANSI 150PSI FLANGE / DIN PN10



● JIS 10K FLANGE

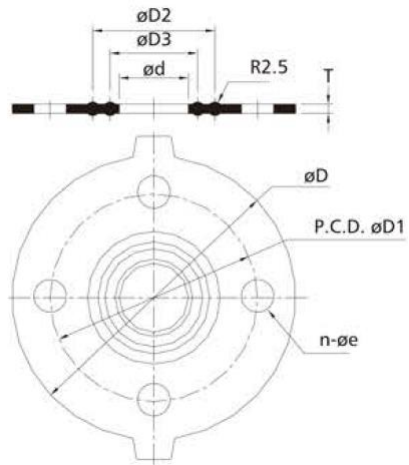


● ANSI 150 PSI FLANGE (Van Stone)



VP-289 Rubber Gaskets : ½" – 12"

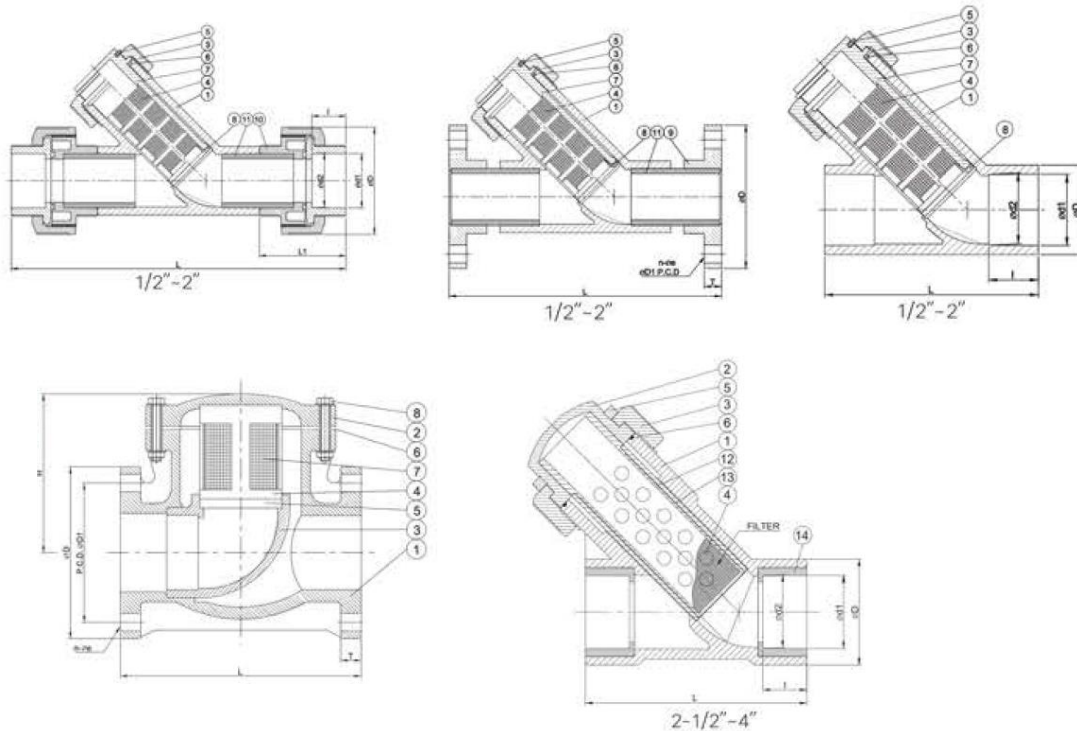
Type 品號	Size 尺寸	Standard 規格	Material 材質
VP-289	½"–12"	ANSI, JIS, DIN	EPDM, NBR, FPM



VP-220 Y-Strainer | T-Strainer : 1/2" – 8"

Type 品號	Size 尺寸	Standard 規格	Material 材質	Gasket/O-ring 墊圈/O環	End type 接口
VP-220 T type	2"~8"	ANSI, JIS, DIN	UPVC	EPDM, PTFE, FPM	Flanged
VP-220 Y type	1/2"~2"	ANSI, JIS, DIN	UPVC	EPDM, FPM	Union, Socket, Flanged
VP-221 T type	2"~8"	ANSI, JIS, DIN	CPVC	EPDM, PTFE, FPM	Flanged
VP-221 Y type	1/2"~2"	ANSI, JIS, DIN	CPVC	EPDM, FPM	Union, Socket, Flanged

- Filter options include several mesh sizes with easy and rapid interchangeability.
- Filter Specification :
 - T type-SUS 304 / 316 :
60 / 40 / 20 mesh
 - PP/PVC/CPVC : 3~8mm
 - Y type-SUS 304 / 316 :
60 / 40 / 20 mesh
 - PE : 20 mesh





**True Union
Ball Check Valve**
1/2" - 2"



**Single Union
Ball Check Valve**
1/2" - 4"



**Swing
Check Valve**
1/2" - 8"



Ball Foot Valve
1/2" - 4"



**Double Union
Ball Valve**
1/2" - 4"



Diaphragm Valve
1/2" - 8"



Butterfly Valve
2" - 24"



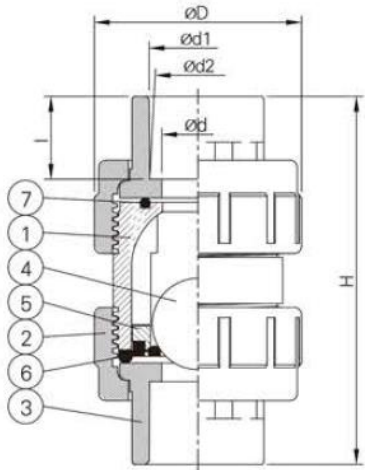
**Pneumatic / Electric
Double Union Ball Valve**
1/2" - 4"



**Pneumatic / Electric
Butterfly Valve**
1/2" - 24"

VP-440 True Union Ball Check Valve : ½" – 2"

Type 品號	Size 尺寸	Standard 規格	Material 材質	Seal 止逆座	O-ring o環	End type 接口
VP-440	1/2"~2"	ANSI, JIS, DIN	UPVC	EPDM, FPM, NBR	EPDM, FPM	Socket, Threaded
VP-441	1/2"~2"	ANSI, JIS, DIN	CPVC	EPDM, FPM, NBR	EPDM, FPM	Socket, Threaded
VP-443	1/2"~2"	ANSI, JIS, DIN	PVDF	EPDM, FPM, NBR	EPDM, FPM	Socket, Threaded
VP-444	1/2"~2"	ANSI, JIS, DIN	PP	EPDM, FPM, NBR	EPDM, FPM	Socket, Threaded

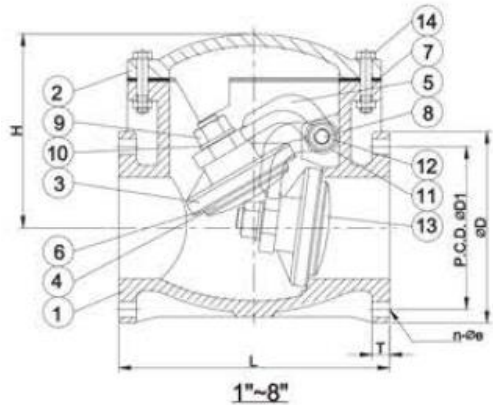


- Pressure rating: 150 PSI @ 73.4°F (23°C)
- Minimum flow pressure: 5 PSI
- Vertically installed, the arrow mark should be upward.
- True union end type
- Easy maintenance
- Ball sealing design, and to be able to seal hermetically.



VP-450 Swing Check Valve : ½" – 8"

Type 品號	Size 尺寸	Standard 規格	Material 材質	Gasket 墊圈	End type 接口
VP-450	1/2"~8"	ANSI, JIS, DIN	UPVC	EPDM, FPM, NBR, PTFE	Flanged
VP-451	1/2"~8"	ANSI, JIS, DIN	CPVC	EPDM, FPM, NBR, PTFE	Flanged
VP-453	1/2"~8"	ANSI, JIS, DIN	PVDF	EPDM, FPM, NBR, PTFE	Flanged
VP-454	1/2"~8"	ANSI, JIS, DIN	PP	EPDM, FPM, NBR, PTFE	Flanged



- Minimum flow pressure: 2 PSI
- Install vertically or horizontally, with arrow to indicate flow direction
- Easy to clean by removing the top bonnet.
- Less on-line down time for maintenance
- To avoid blocking, it is recommended to install filter in front of the valve.

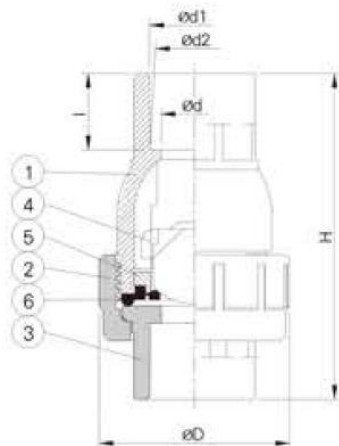


VP-460 Ball Check Valve | VP-470 Ball Foot Valve : 1/2" – 4"

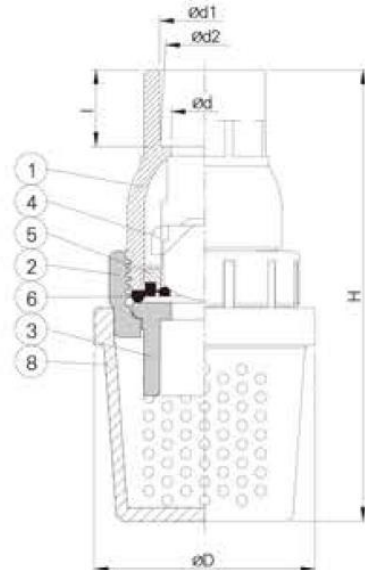
Type 品號	Size 尺寸	Standard 規格	Material 材質	Seal 止逆座	End type 接口
VP-460	1/2"~4"	ANSI, JIS, DIN	UPVC	EPDM, FPM, NBR	Socket, Threaded, Flanged
VP-461	1/2"~4"	ANSI, JIS, DIN	CPVC	EPDM, FPM, NBR	Socket, Threaded, Flanged
VP-463	1/2"~4"	ANSI, JIS, DIN	PVDF	EPDM, FPM, NBR	Socket, Threaded, Flanged
VP-464	1/2"~4"	ANSI, JIS, DIN	PP	EPDM, FPM, NBR	Socket, Threaded, Flanged
VP-470	1/2"~4"	ANSI, JIS, DIN	UPVC	EPDM, FPM, NBR	Socket, Threaded, Flanged
VP-471	1/2"~4"	ANSI, JIS, DIN	CPVC	EPDM, FPM, NBR	Socket, Threaded, Flanged
VP-473	1/2"~4"	ANSI, JIS, DIN	PVDF	EPDM, FPM, NBR	Socket, Threaded, Flanged
VP-474	1/2"~4"	ANSI, JIS, DIN	PP	EPDM, FPM, NBR	Socket, Threaded, Flanged

- Pressure rating: 1/2"~2-1/2" 150 PSI,
3"~4" 100 PSI
@73.4°F(23°C)
- Minimum flow pressure : 2~4 PSI
- Vertically installation, the arrow
should be upward.
- Ball sealing design to be able to
seal hermetically.

Ball Check Valve



Ball Foot Valve



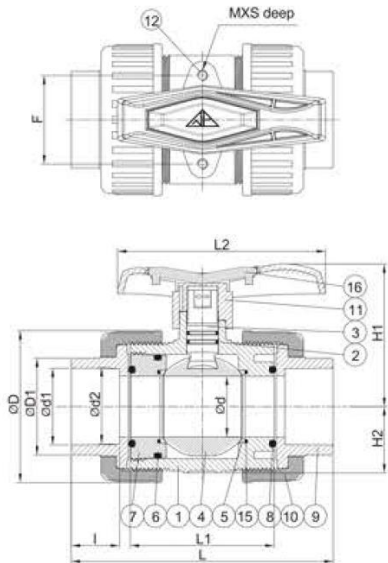
Ball Check Valve

Ball Foot Valve

VP-640 Double Union Ball Valve : 1/2" – 4"

Type 品號	Size 尺寸	Standard 規格	Material 材質	Seat 墊座	O-ring O環	End type 接口
VP-640	1/2"~4"	ANSI, JIS, DIN, BS	UPVC	PTFE	EPDM, FPM	Socket, Threaded, Flanged
VP-641	1/2"~4"	ANSI, JIS, DIN, BS	CPVC	PTFE	EPDM, FPM	Socket, Threaded, Flanged
VP-643	1/2"~4"	ANSI, JIS, DIN, BS	PVDF	PTFE	EPDM, FPM	Socket, Threaded, Flanged
VP-644	1/2"~4"	ANSI, JIS, DIN, BS	PP	PTFE	EPDM, FPM	Socket, Threaded, Flanged
VP-645	1/2"~4"	ANSI, JIS, DIN, BS	ABS	PTFE	EPDM, FPM	Socket, Threaded, Flanged

- Pressure rating:
150 PSI @73.4°F(23°C)
- Standard port design
- Adjustable seat tightness
- Easy to disassemble by handle
- Less on-line down time for replacement / maintenance
- Actuator could be installed with inserted nut type
- Standard Product is without inserted nut



PG Handle (2½" – 4")

N1 Handle (1/2" - 2")

Pneumatic | Electric Actuator Double Union Ball Valve: ½" – 4"

Size 尺寸	Standard 規格	Material 材質	Seat 墊座	O-ring O環	End type 接口
1/2"~4"	ANSI, JIS, DIN, BS	UPVC	PTFE	EPDM, FPM	Socket, Threaded, Flanged
1/2"~4"	ANSI, JIS, DIN, BS	CPVC	PTFE	EPDM, FPM	Socket, Threaded, Flanged



Electric Actuator
Double Union Ball Valve



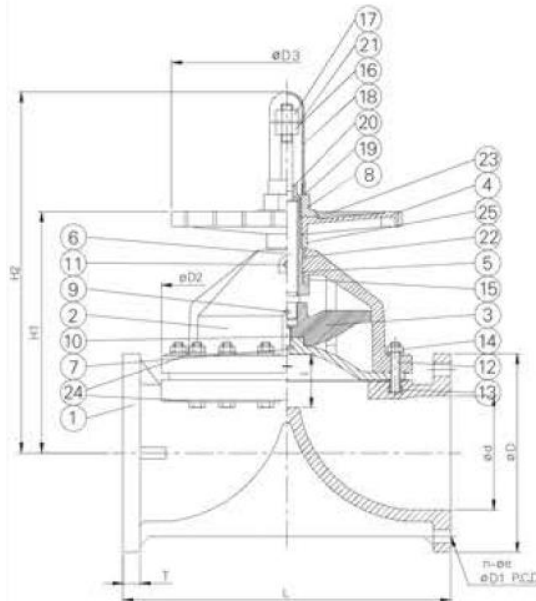
Pneumatic Actuator
Double Union Ball Valve



Electric Actuator
Double Union Ball Valve

VP-710 Diaphragm Valve (Flange) : ½" – 8"

Type 品號	Size 尺寸	Standard 規格	Material 材質	Gasket 墊片	O-ring O環	Diaphragm 隔膜片	End type 接口	Bolt 螺栓
VP-710	1/2"~8"	ANSI, JIS, DIN	UPVC	EPDM	NBR	EPDM, FPM, PTFE	Flanged	SUS 304 / 316
VP-711	1/2"~8"	ANSI, JIS, DIN	CPVC	EPDM	NBR	EPDM, FPM, PTFE	Flanged	SUS 304 / 316
VP-713	1/2"~8"	ANSI, JIS, DIN	PVDF	EPDM	NBR	EPDM, FPM, PTFE	Flanged	SUS 304 / 316
VP-714	1/2"~8"	ANSI, JIS, DIN	PP	EPDM	NBR	EPDM, FPM, PTFE	Flanged	SUS 304 / 316



- Pressure rating: 1/2"~3" 150 PSI,
4"~6" 72 PSI,
8" 43 PSI
@73.4°F(23°C)

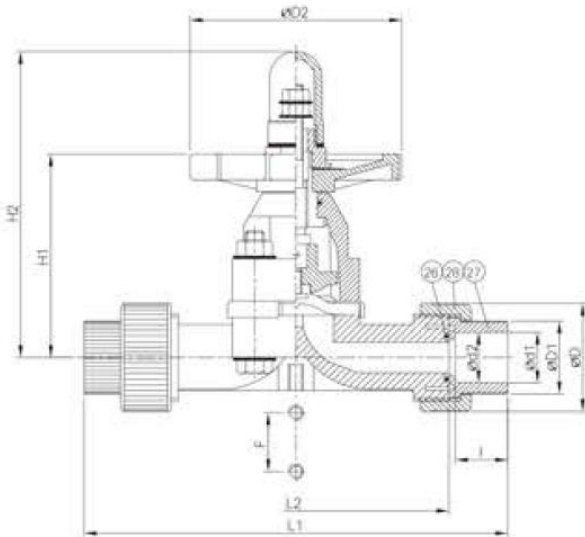
(Working pressure is varified by diaphragm material and working temperature.)

- Smooth operation with clear indication of opening / closing through the gauge cover
- Low maintenance cost with replaceable diaphragm and long service life
- Adjustable stopper can avoid over tightness.
- Alternative material for stem and sleeve: SUS 304 / 316



VP-710 Diaphragm Valve (Union- Socket /Thread) : ½" – 2"

Type 品號	Size 尺寸	Standard 規格	Material 材質	Gasket 墊座	O-ring O環	Diaphragm 隔膜片	End type 接口	Bolt 螺絲
VP-730	1/2"~2"	ANSI, JIS, DIN, BS	UPVC	EPDM	NBR / EPDM, FPM	EPDM, FPM, PTFE	Socket, Threaded	SUS 304 / 316
VP-731	1/2"~2"	ANSI, JIS, DIN, BS	CPVC	EPDM	NBR / EPDM, FPM	EPDM, FPM, PTFE	Socket, Threaded	SUS 304 / 316
VP-733	1/2"~2"	ANSI, JIS, DIN, BS	PVDF	EPDM	NBR / EPDM, FPM	EPDM, FPM, PTFE	Socket, Threaded	SUS 304 / 316
VP-734	1/2"~2"	ANSI, JIS, DIN, BS	PP	EPDM	NBR / EPDM, FPM	EPDM, FPM, PTFE	Socket, Threaded	SUS 304 / 316



- Pressure rating: 100 PSI @73.4°F (23°C)
- Smooth operation with clear indication of opening / closing through the gauge cover.
- Low maintenance cost with replaceable diaphragm and long service life
- Adjustable stopper can avoid over tightening
- Alternative material for stem and sleeve: SUS 304 / 316



VP-810 Butterfly Valve (Handle type) : 2" – 8"

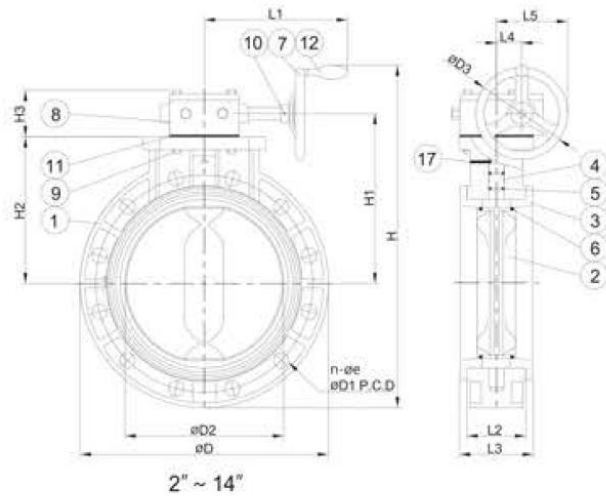
Type 品號	Size 尺寸	Standard 規格	Material 材質	Seat 墊座	O-ring O環	Disc 蝶片	End type 接口
VP-810	2"~8"	ANSI, JIS, DIN	UPVC	EPDM, FPM	EPDM, FPM	PP	Flanged
VP-811	2"~8"	ANSI, JIS, DIN	CPVC	EPDM, FPM	EPDM, FPM	CPVC	Flanged
VP-813	2"~8"	ANSI, JIS, DIN	PVDF	EPDM, FPM	EPDM, FPM	PVDF	Flanged
VP-814	2"~8"	ANSI, JIS, DIN	PP	EPDM, FPM	EPDM, FPM	PP	Flanged

- Pressure rating: 2"~8" 150 PSI @73.4°F(23°C)
(Standard stem: SUS 410 + heat process.
Alternative material for stem: SUS 304/316)
- Compact and light-weight design
- Low flow loss
- The scale on top of the body can clearly indicate the opening angle.
- Ideally suited in a limited piping space



VP-820 Butterfly Valve (Gear Box) : 2" – 24"

Type 型號	Size 尺寸	Standard 規格	Material 材質	Seat 墊座	O-ring O環	Disc 蝶片	End type 接口
VP-820	2"~24"	ANSI, JIS, DIN	UPVC	EPDM, FPM	EPDM, FPM	PP	Flanged
VP-821	2"~24"	ANSI, JIS, DIN	CPVC	EPDM, FPM	EPDM, FPM	CPVC	Flanged
VP-823	2"~24"	ANSI, JIS, DIN	PVDF	EPDM, FPM	EPDM, FPM	PVDF	Flanged
VP-824	2"~24"	ANSI, JIS, DIN	PP	EPDM, FPM	EPDM, FPM	PP	Flanged



- Pressure rating : 2"~10" 150 PSI,
12" 100 PSI,
14,16" 86 PSI,
18" 72 PSI,
20"~24" 51 PSI
@73.4°F(23°C)

(Standard stem:

SUS 410 + heat process
Alternative material for stem:
SUS 304/316)

- Lower torque and seal hermetically
- Low flow loss
- The opening angle of the disc could be seen clearly through the arrow on top of the gear box.
- Ideally suited in a limited piping space
- Easy to mount actuator with flat zone design on the top of valve



Pneumatic | Electric Actuator Butterfly Valve 2" – 24"

Size 尺寸	Standard 規格	Material 材質	Seat 墊座	O-ring O環	Disc 蝶片	End type 接口
2"~24"	ANSI, JIS, DIN	UPVC	EPDM, FPM	EPDM, FPM	PP	Flanged
2"~24"	ANSI, JIS, DIN	CPVC	EPDM, FPM	EPDM, FPM	CPVC	Flanged
2"~24"	ANSI, JIS, DIN	PVDF	EPDM, FPM	EPDM, FPM	PVDF	Flanged
2"~24"	ANSI, JIS, DIN	PP	EPDM, FPM	EPDM, FPM	PP	Flanged




Pneumatic Actuator
Butterfly Valve



Electric Actuator
Butterfly Valve

Contact

C.M.P. GROUP C.M.P. PRODUCTS CO.,LTD C.M.P. SUPPLIES LTD.,PART

 20-20/1 Soi Ramkhamhaeng 16, 2nd Branch, Ramkhamhaeng Rd.
Huamak, Bangkok, Bangkok 10240 Thailand

 +66(0) 2 319 0950 |  +66(0) 2 718 6356-7

 www.cmpthai.com |  CMP GROUP |  @cmpgroupth

